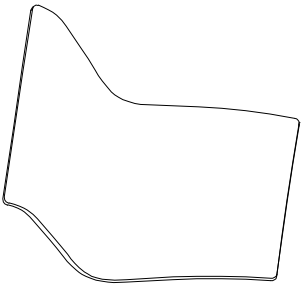
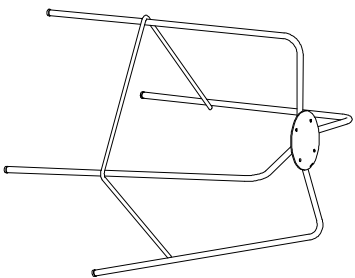


ASSEMBLY INSTRUCTION BS113-NA1-DC

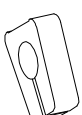
Ax1



Bx1



Cx4



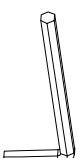
Dx4



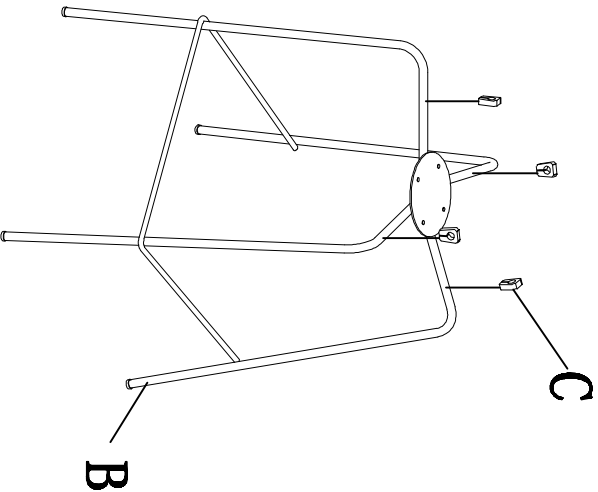
Fx4



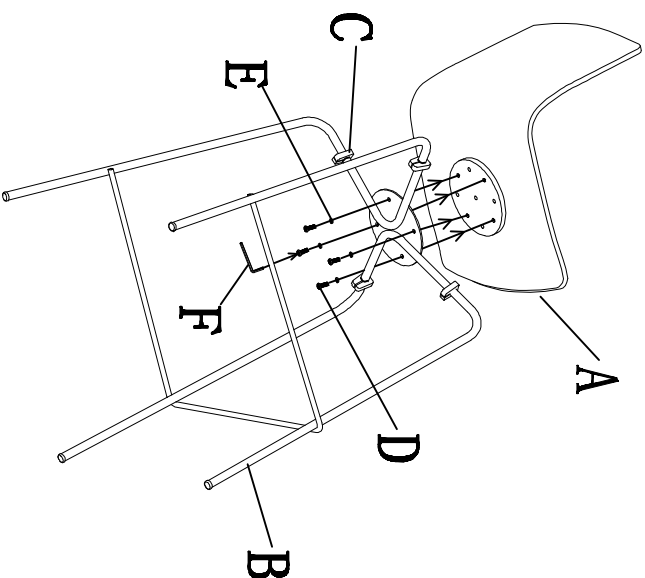
Fx1



1



2



3

